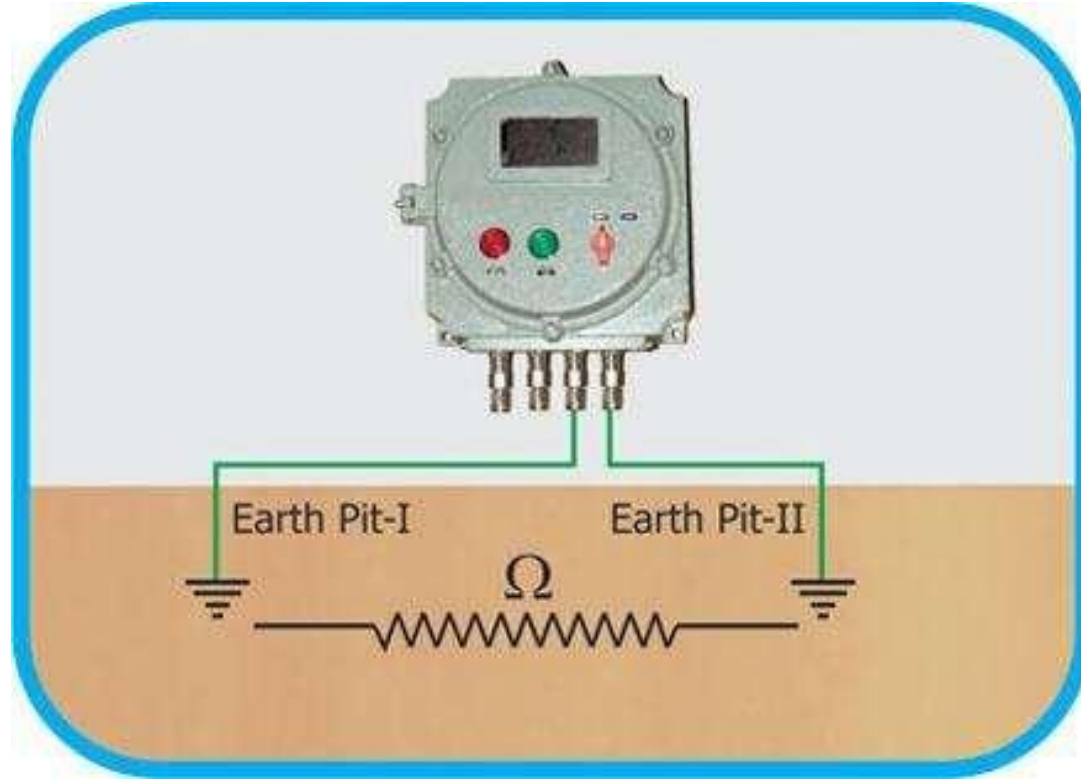


EARTHING CONFIRMATION SYSTEM



MODEL: ECR-2

ECR-2 is connected between two earth pits or in series with one earth pit and grid connection of the earth pit. ECR-2 applies voltage across the two earth pits/ earth pit to grid connection and the current flow is measured. The resistance is internally calculated from the applied voltage and current flowing through the earth pits. The LED display unit on ECR-2 reads the measured value of resistance. The device continuously measures resistance and increase in resistance beyond the set value, (typically 10 ohms) would initiate the relay output which can be used for interlocking, alarm or annunciation.

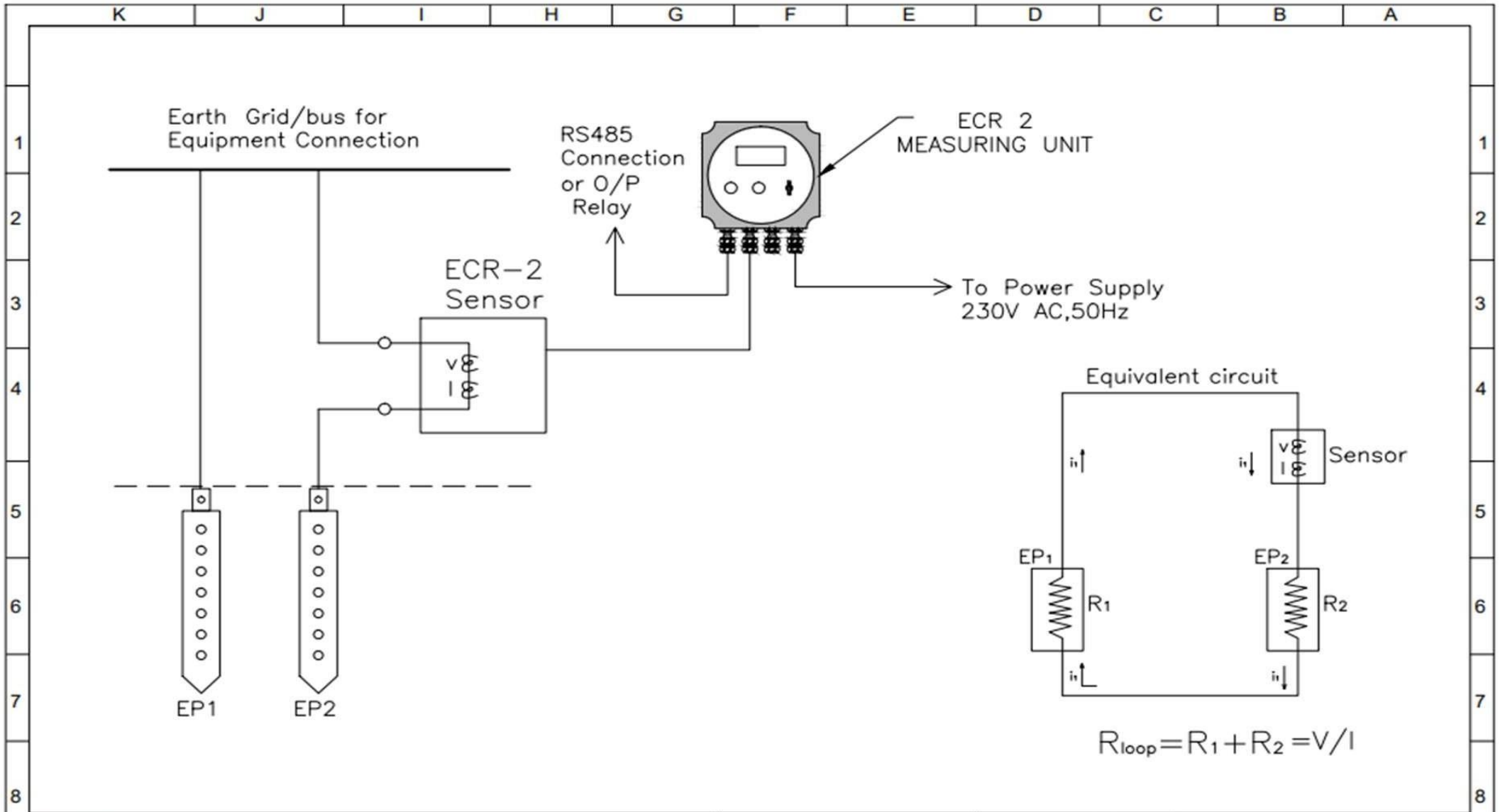
Features:

- Continuous monitoring of earth pit resistance
- Displays the resistance value of earth pit
- Uses intrinsically safe relay circuit, housed in flame proof/ weather proof enclosure
- Can be interlocked with ECR-1 for relay output, to ensure value of earth pit resistance below the acceptable limit which is critical for performance of earthing confirmation system

TECHNICAL SPECIFICATION

| | |
|---|--|
| Rated Power supply | 230VAC or 110VAC, – 10%/ +15%, 45-65 Hz (optional 24V AC/DC) |
| Internal Protection | High speed glass fuses for short circuit protection |
| Inputs | 1) True or verified earthing at loading/ unloading area 2) Clamp connection from Tanker |
| Setting Range | Earth pit resistance setting from 0 to 20 Ohms, adjustable at site through display unit |
| Permissible circuit value ignition protection class for enclosure | Ex IIC 2 GD d e ia T6 |
| Output relay details | Two changes over contacts rating of 250V, 5 A (resistive load) |
| Cable entry points | Three or four, Suitable for 19mm Gland |
| Clamp design | SS 304 crocodile type / tungsten carbide (optional) |
| Weight | 7.5kg (without clamp) |

CONNECTION DIAGRAM



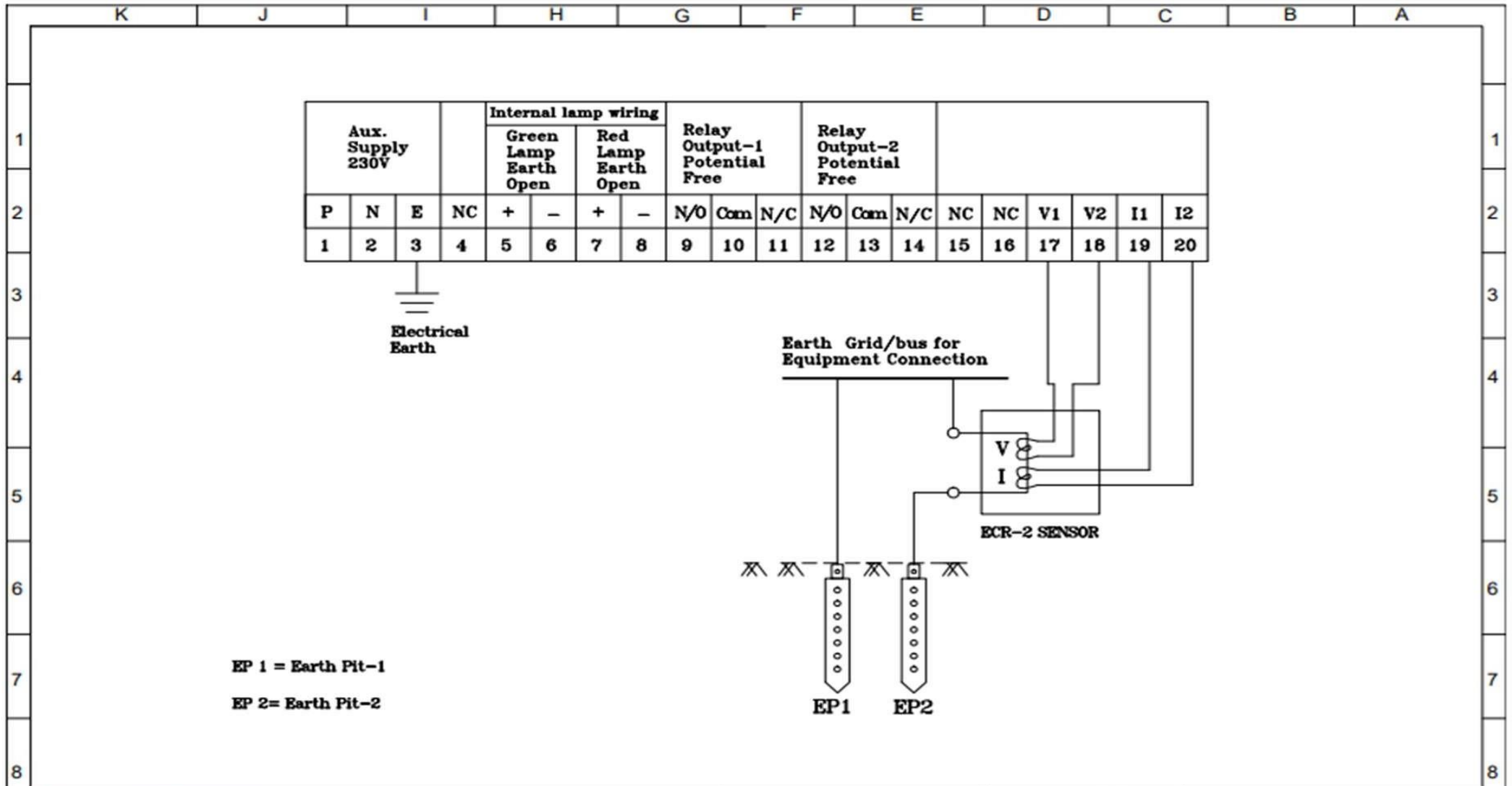
992/1/17, GIDC Industrial Estate
Makarpura, Vadodara - 390010.
Mo:- 9376222606
email:- exell2003@yahoo.com

Title:- ECR-2,
2 Earth pits connection
Client:-
Job No:-

Drawn:-NAMRATA
Checked:-
Approved:-
Date:- 08-12-21

Sheet Name:-
CONNECTION DIAGRAM
Drg. No:-
ET/DRG/20-21/ ECR-2/001
Rev. No.:-R0 | Sheet No:-1 of 1

Exceltech India Pvt Ltd.



992/1/17, GIDC Industrial Estate
Makarpura, Vadodara - 390010.
Mo:- 9376222606
email:- exell2003@yahoo.com

Title:- Terminal details of
ECR-2 Main unit
Client:-
Job No:-

Drawn:-NAMRATA
Checked:-
Approved:-
Date:- 19-04-22

Sheet Name:-
TERMINAL DETAILS
Drg. No:-
ET/DRG/20-21/ ECR-2/004
Rev. No.:-R0 | Sheet No:-1 of 1

Exceltech India Pvt Ltd.