

Motor Protection Device (WOD)



MODEL - WOD

FEATURES :

- Numerical Algorithm for fast, reliable operation
- Settable Overload and Under load current
- Excellent accuracy due to software-based implementation
- Customized protection CT inbuilt in the relay
- Continuous self-supervision, fail safe operation
- Indication of type of fault through LED
- External reset with potential free contact

SPECIFICATIONS:

Aux. supply	230/110/415 VAC, 50 Hz
CT	Inbuilt CT
Rated current (As per motor FLC)	1 to 5 Amp, 1 to 20 Amp, 2 to 40 Amp
Rated Frequency	50Hz
Mass of the device	500gms. (approx.)
Mounting type	DIN rail mounted
Dimensions (L X W X D)	75 X 50 X 125 mm
Thermal Overload/ Over current setting range	1 to 20 A
Under current feature	Default
Under current setting range	1 to 20 A
Single phasing setting	Default
Single phasing trip delay	2 sec. (fixed)
Unbalance protection	Default
Unbalance trip delay	5 sec. (fixed)
Ambient service temperature	0 deg. C to + 55 deg. C

PROTECTION:

- Over Load with inverse curve or over current with definite time
- Under Current
- Single Phasing
- Unbalance Protection

CURRENT RANGE:

- 1 to 5 Amp (WOD-5)
- 1 to 20 Amp (WOD-20)
- 2 to 40 Amp (WOD-40)

MEASURING & DISPLAY

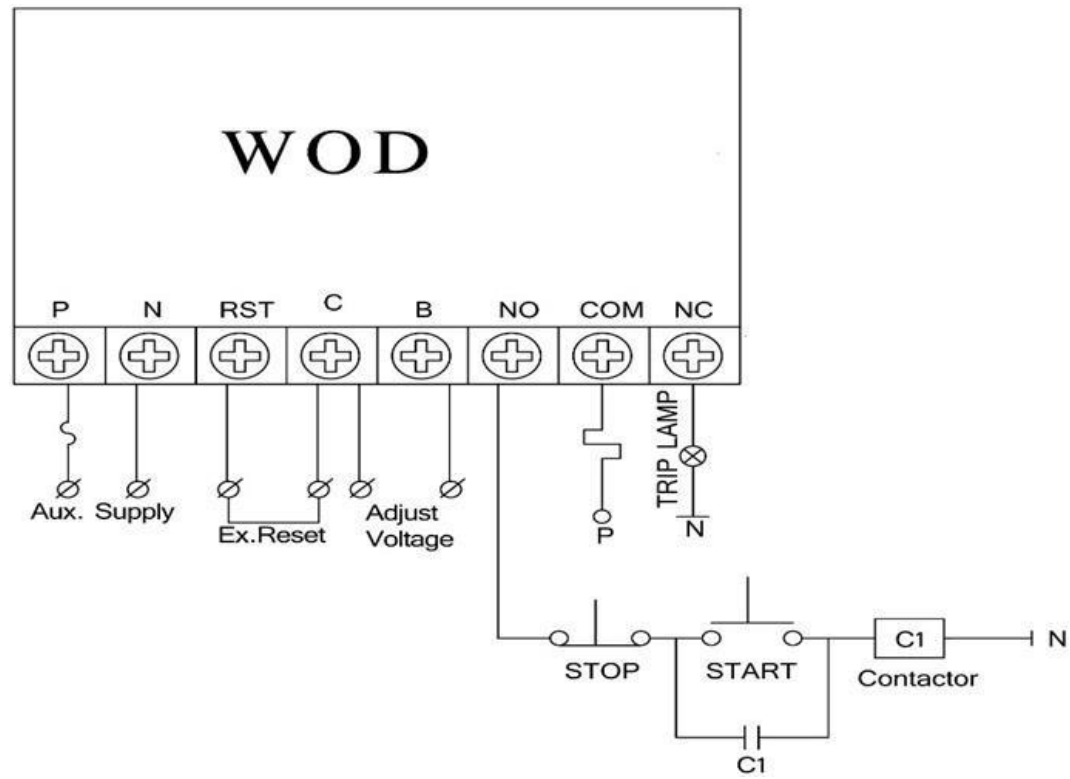
PARAMETERS:

- R Phase Current (Ir)
- Y Phase Current (IY)
- B Phase Current (Ib)

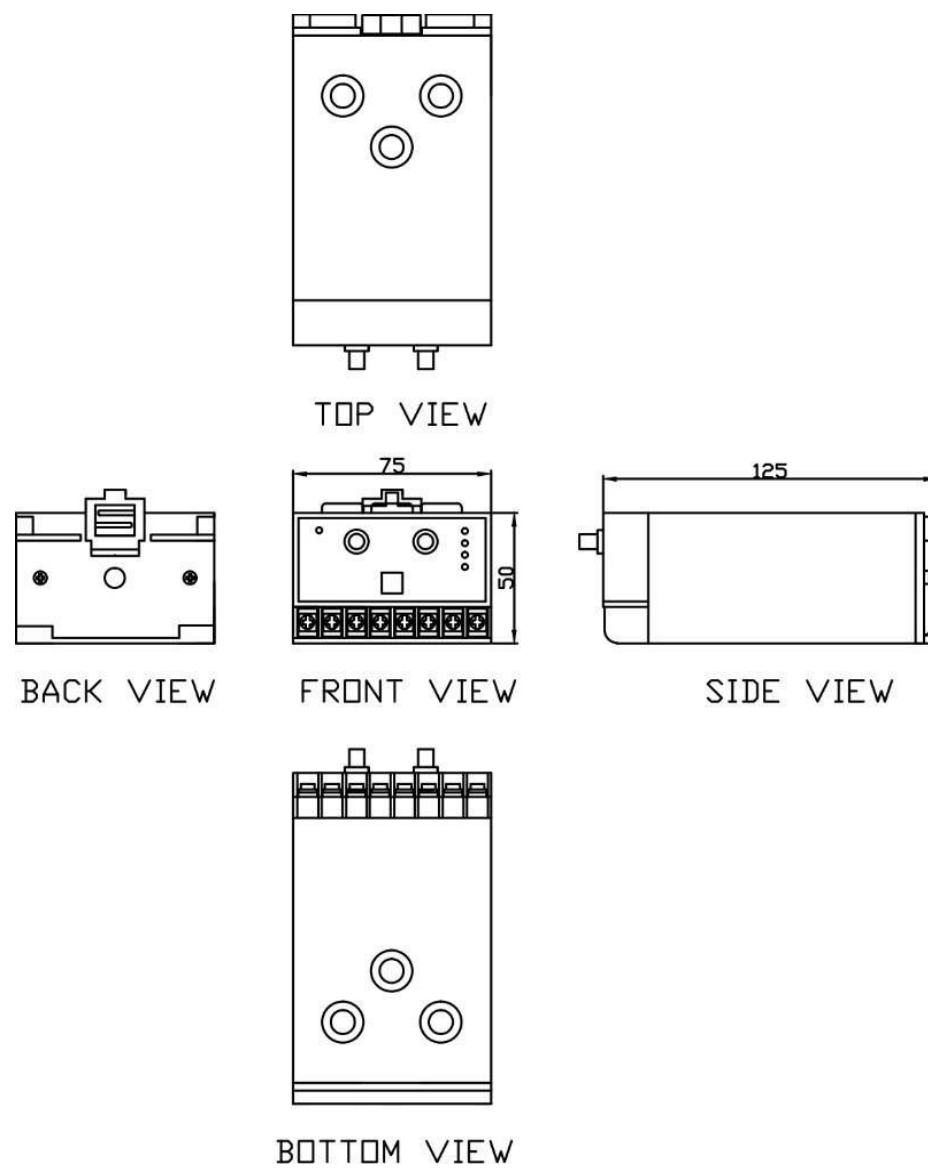
OPTIONAL:

- Over Current with definite time

WIRING DIAGRAM



DIMENSION DRAWING



FOR WOD-5 / WOD-20 / WOD-40