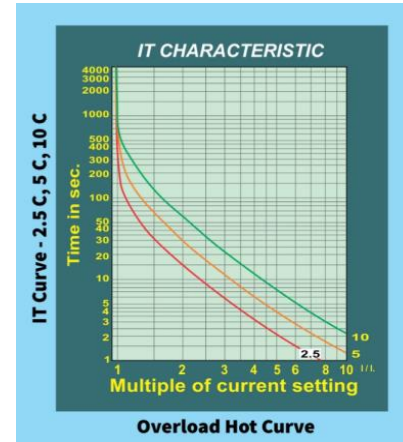


Motor Protection Device (WID)



MODEL - WID

FEATURES:

- Numerical Algorithm for fast, reliable operation
- Settable Overload and Under load current
- Excellent accuracy due to software-based implementation
- Customized protection CT inbuilt in the relay
- Continuous self-supervision, fail safe operation
- Indication of type of fault through LED
- External reset with potential free contact
- LED Seven Segment Display, bright pixels
- Measures and display 3 phase currents
- Display of the type of fault in place of LED indication
- Thermal Overload curves selectable (WID) or Over current with settable operating time (WID-DT)
- Man – Machine interface through keypad
- Protection Reset Inhibit function
- In built Star and Delta operation with changeover of relays using settable pause timer (Optional)

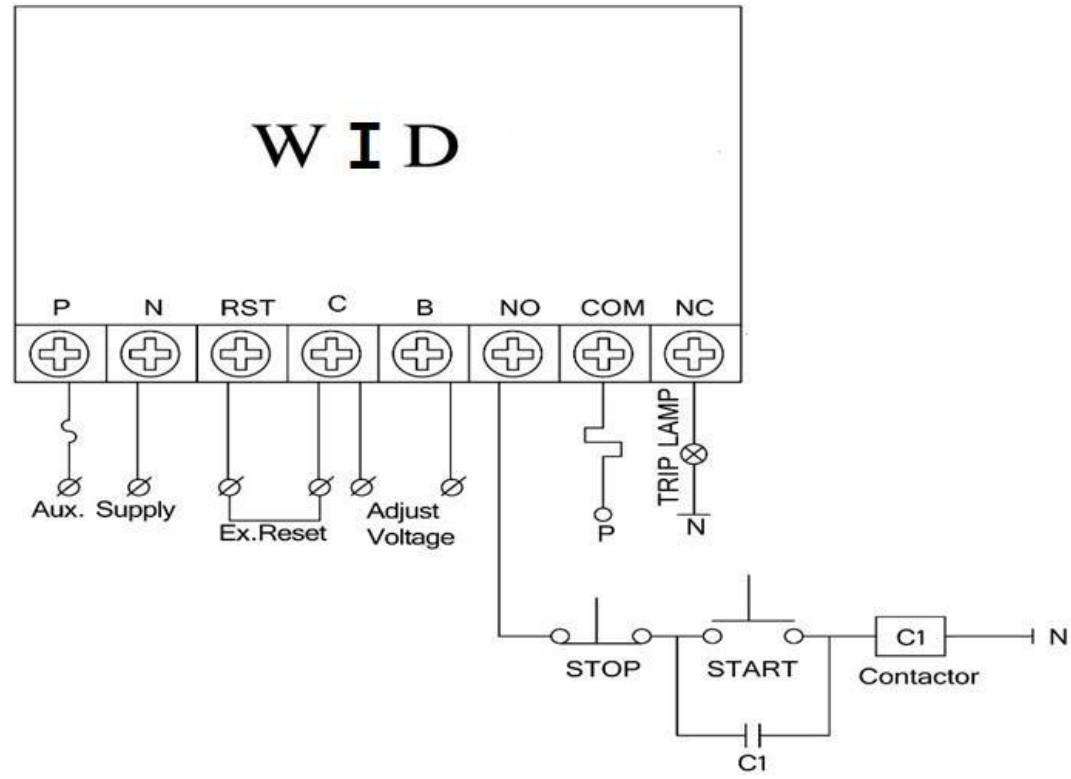
PROTECTION:

- Over Load with inverse curve or Over current with definite time
- Under Current
- Single Phasing
- Unbalance Protection
- Earth fault Protection
- **CURRENT RANGE:**
- - 1 to 28 Amp

SPECIFICATIONS:

Aux. supply	230VAC, 50 Hz
CT	Inbuilt CT
Rated current (As per motor FLC)	1 to 28A
Rated Frequency	50Hz
Mass of the device	500gms. (approx.)
Mounting type	DIN rail mounted
Dimensions (L X W X D)	5 X 50 X 125 mm
Thermal Overload/ Over current setting range	1 to 28 A
Thermal Overload curve selection	2.5C, 5C, 10C (three curves) for operating time
Over Current Operating time (WID – DT)	1 to 60 sec.
Under current feature	Enable/Disable
Under current setting range	1 to 28A
Under current operating time	1 to 60 sec
Single phasing setting	Enable or disable
Single phasing trip delay	2 sec. (fixed)
Unbalance protection	Enable or disable
Unbalance trip delay	5 sec. (fixed)
Thermal Reset Inhibit time	1 to 999 sec.
Earth Fault Trip	Default
Ambient service temperature	0 deg. C to + 55 deg. C

WIRING DIAGRAM



DIMENSION DRAWING

